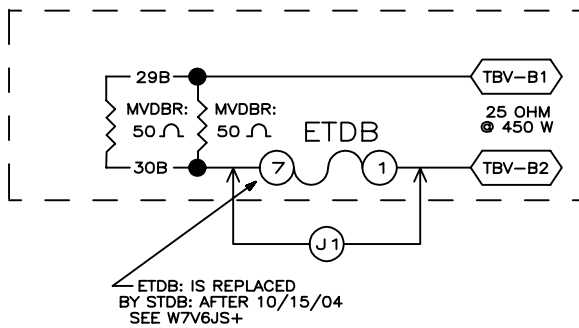
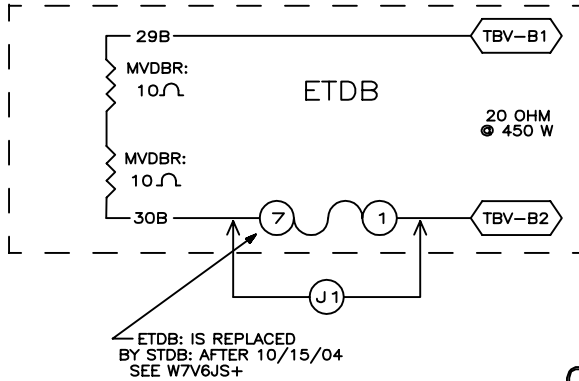


00 01 02 03 04 05 06 07 08 09 10

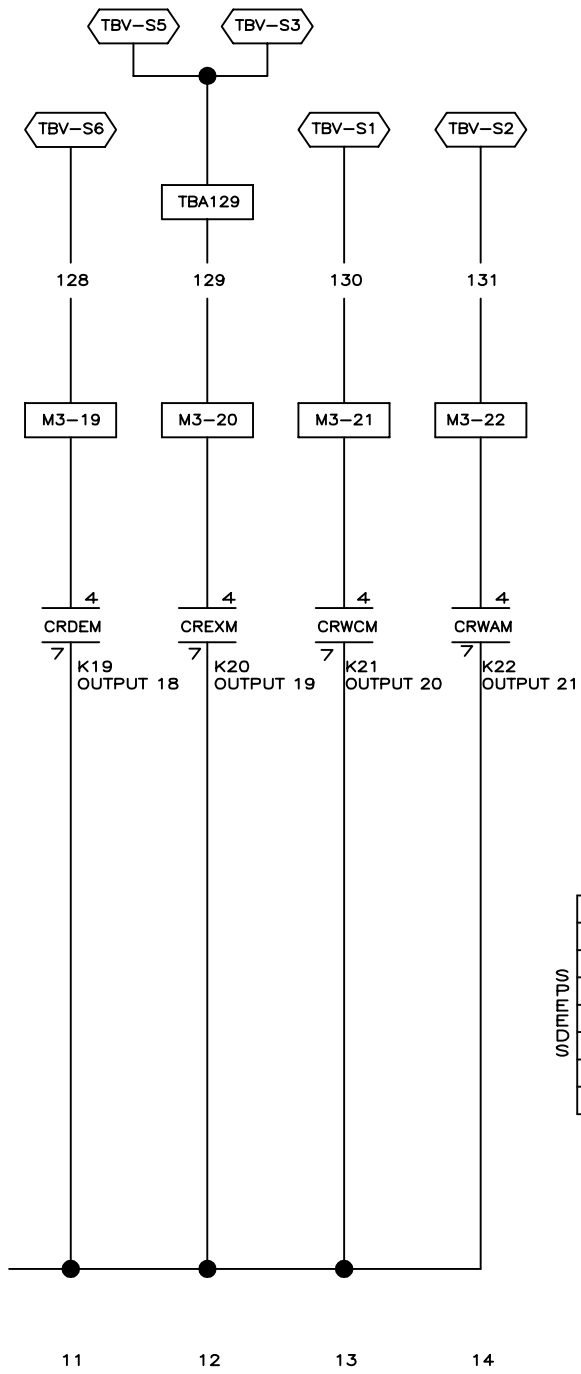
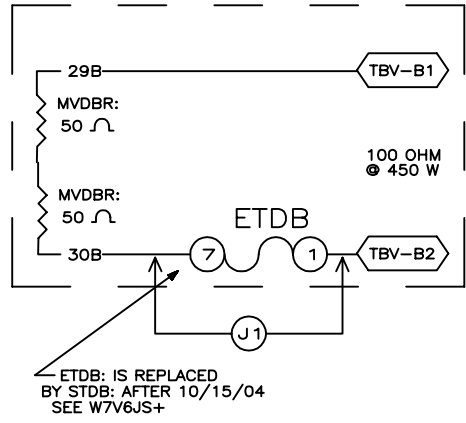
LOW VOLTAGE 36" MACHINE



LOW VOLTAGE 42" MACHINE



HIGH VOLTAGE 36" & 42"



W7V6JVPB
 MICRO 7 SYSTEMS MARK V
 FOR 42 V7J WITH F7 INVERTER ONLY
 SCHEMATIC: VARIABLE SPEED CONTROLLER
 PELLERIN MILNOR CORPORATION

	CW		CCW		
	CRWCM	CRWAM	CRCLM	CRDEM	CREXM
WASH 1	X				
WASH 2	X		X		
DRAIN	X			X	
RINS SAVE	X		X	X	
EXTRACT 1	X				X
EXTRACT 2	X		X		X
EXTRACT 3	X			X	X
OUT OF EXTRACT					X

- NOTES:
1. TBV IS LOCATED ON VARIABLE SPEED CONTROLLER CONTROLLER.
 2. Kxx REFERS TO THE LABEL ON THE BOARD MOUNTED RELAY. OUTPUT# REFERS TO WHAT IS SHOWN ON THE MACHINE'S DISPLAY.